

MCD20 Series

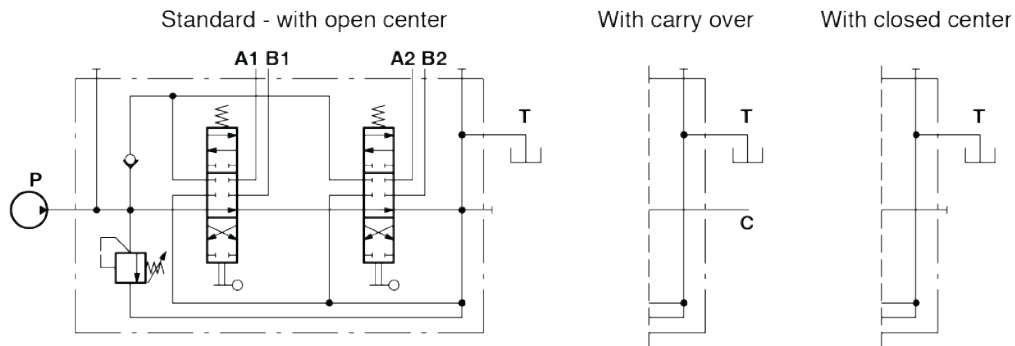


Features and Handling

- MCD20 series are monoblock directional control valve with parallel circuits. The standard valve comes with an adjustable main relief valve, check valve, and 4 mounting holes for standard and optional mounting. The carry over circuit, spool controls, and other options are available.
- The compact casting is made of high strength cast iron. The spools are made of hardened and tempered steel.



Specification



Model	Nominal Flow L/min (USgpm)	Maximum Pressure bar (psi)
MCD 20	45 (12)	350 (5100)

MCD20 Series



Ordering Code



1. Model : MCD20

2. Number of Spool
1 - 4

3. Relief Valve Setting
210 bar
140 bar

4. Spool Control B Port side
L - Standard Lever

5. Spool Control A Port side
S - Spring return to center
D - Detent in three positions
I - Detent in two positions
O - Detent out two positions
M - Microswitch connector operated in port 1 and 2

6. Spool Type
(Type.1) 1 - Double acting, 3 position with A and B closed in center (Cylinder spool)
(Type.2) 2 - Double acting, 3 position with A and B to tank in center (Motoring spool)
(Type.3) 3 - Single acting on A, 3 position B plugged
(Type.4) 4 - Single acting on B, 3 position A plugged

7. Service valve
N - Without valve
P - Without valve, but with pre-arranged holes
C - With pilot operated check valves on port A and B

*With service valve, the main valve body will come without Port P and T on top and Port A and B can be BSPT 3/8" only, but Port A and B on check valve can be any threads as specified in Ordering Code

8. Circuit Option

OC - With open center plug
CO - With carry over plug
CC - With closed center plug

9. Port Connection

Code	Thread	Port A-B	Port P	Port T	Port CO
B3	BSP	3/8"	3/8"	3/8"	3/8"
B4	BSP	1/2"	1/2"	1/2"	1/2"
S	SAE	SAE 8	SAE 10	SAE 10	SAE 10

10. Optional Port Connection

SP - Use port P and T at side plugged P and T on top (standard)
TP - Use port P and T on top plugged P and T at side

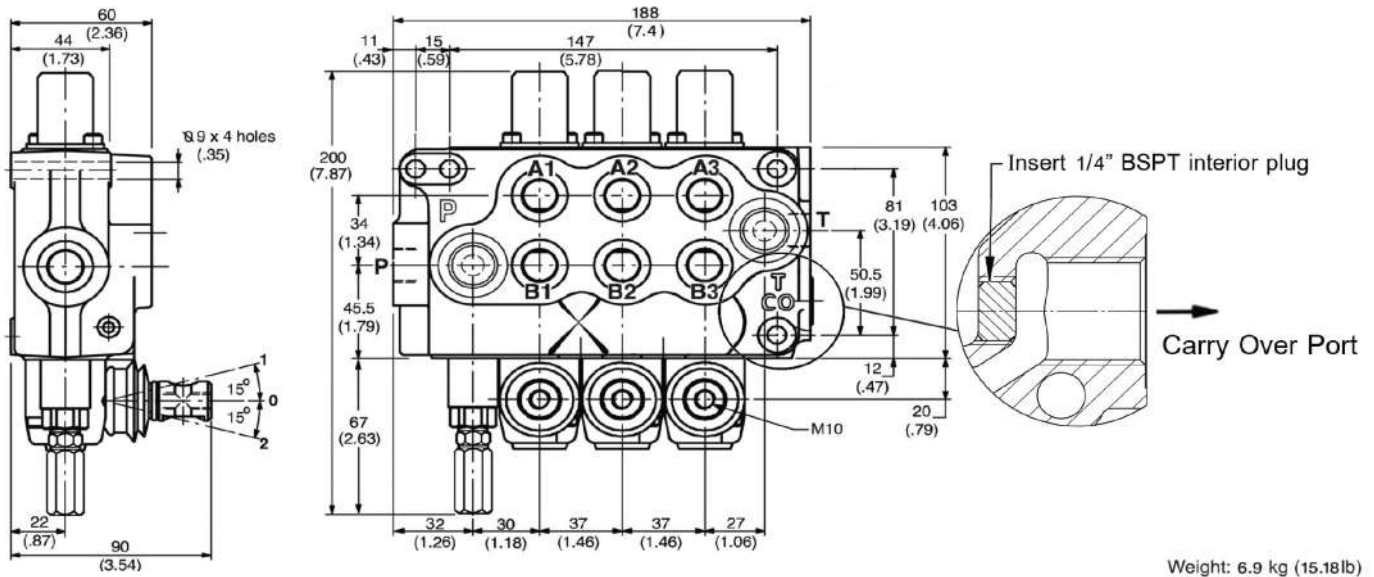


MCD20 Series

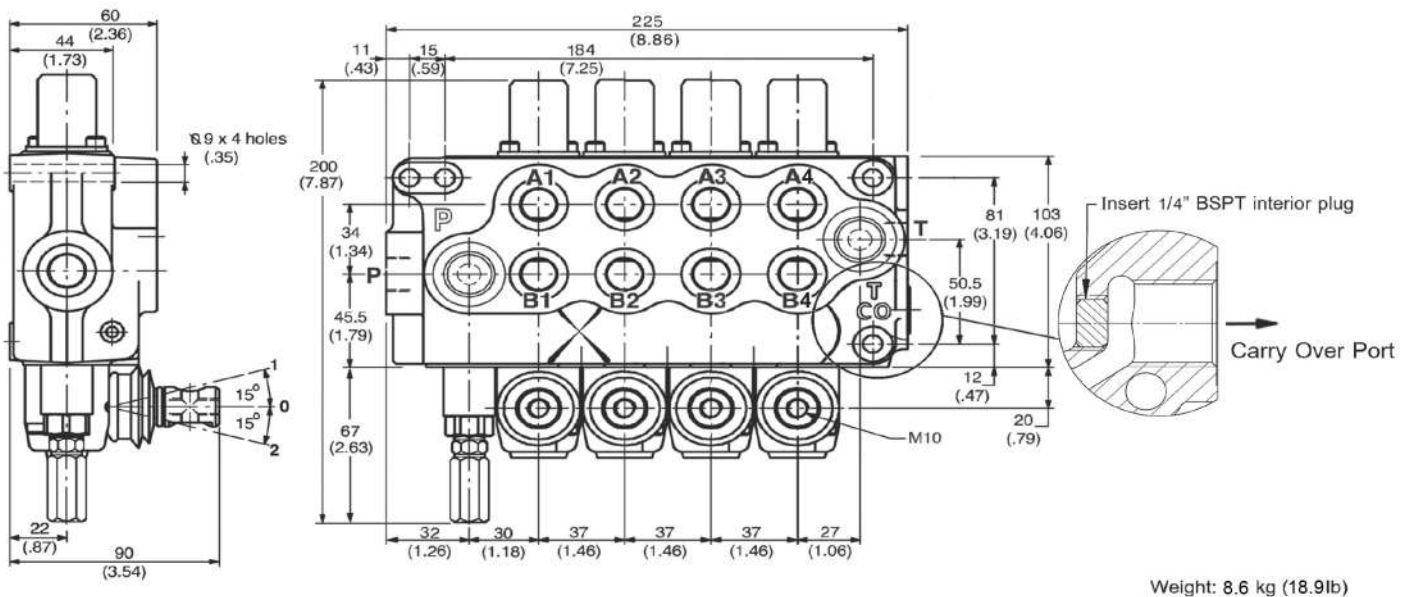


Installation Dimension mm (inch)

MCD-20/3

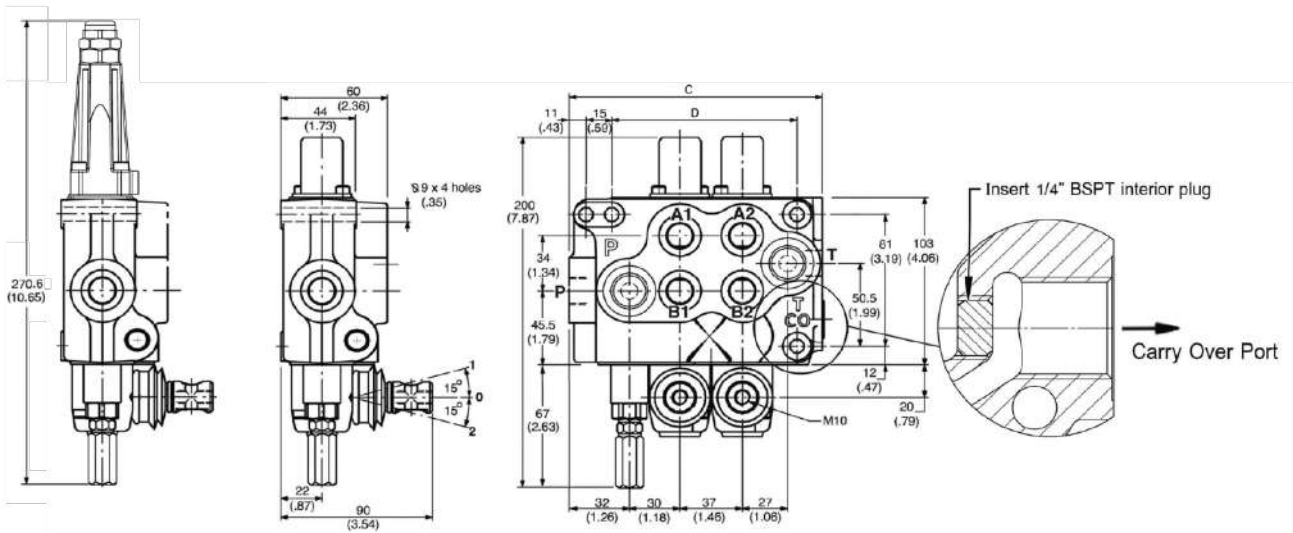


MCD-20/4



MCD20 Series

Option Microswitch



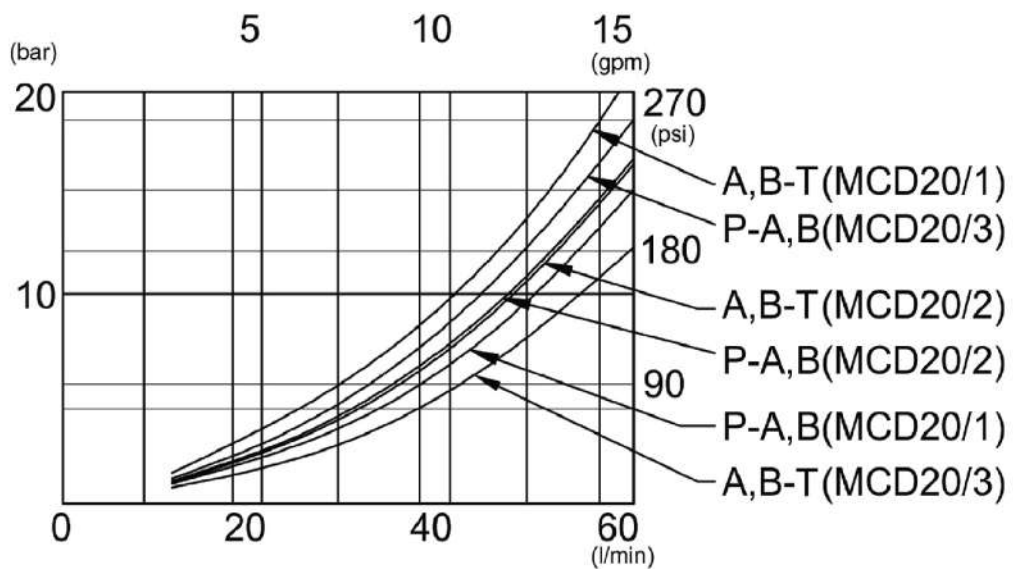
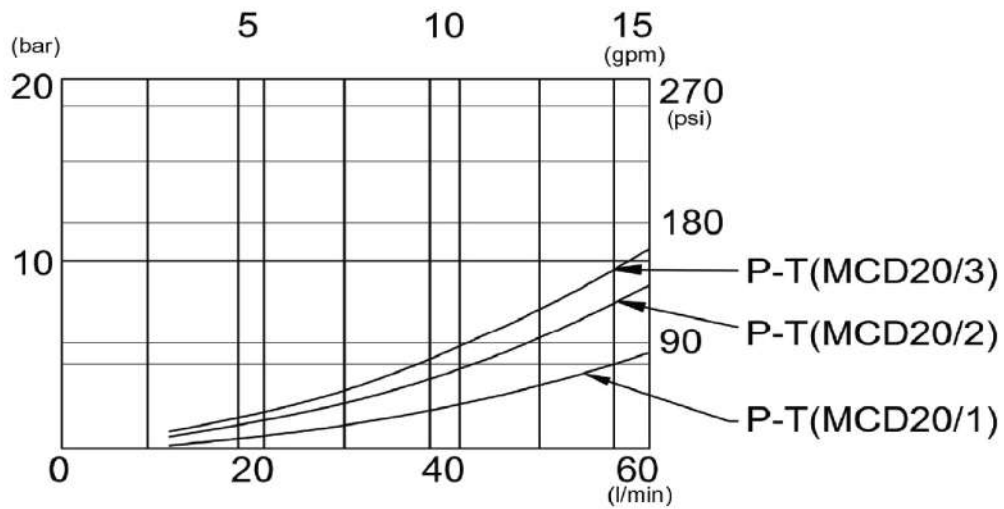
Model	Dimension mm (inch)		Weight kg (lb)
	C	D	
MCD 20/1	112 (4.41)	73 (2.87)	3.6 (7.9)
MCD 20/2	151 (5.95)	110 (4.33)	5.2 (11.4)
MCD 20/3	188 (7.40)	147 (5.78)	6.9 (15.18)
MCD 20/4	225 (8.86)	184 (7.25)	8.6 (18.9)

MCD20 Series



Performance Characteristics

Pressure Drop



Test condition Hydraulic oil ISO VG 32 temperature 50°C Viscosity 23.6 cSt